

# WATSON

Accessible Information Anywhere™



WATSON is a wireless embedded computer for your transportation company. It was specifically designed for hazardous transportation vehicles and complies with Quebec regulations. It offers the functionalities and the flexibility fleet manager want. WATSON is a black box that is tough, simple to configure and install.

This tiny computer allows useful data collection for fleet management.

WATSON can be seen as a solid and easy to upgrade house foundation. If in the future your fleet needs to adapt due to market changes, WATSON's technology will help you go into another level

## Your benefits

- NO monthly telecommunication fees if you select Short Range RF communication
- You don't have monthly telecommunication cost if you select short range RF communication
- You keep records of important events like: WHAT, WHEN, and WHERE they happened;
  - Detection of hard braking
  - Detection of speed excess
  - Detection of prolonged stops
- You know exactly HOW and WHO drive your most valuable assets ANYTIME, ANYWHERE.
- You equip your fleet with an UP-TO-DATE, affordable and reliable computer.

## Key features

- Firmware upgradable over USB or short range communication
- Direct connection to engine (J1708)
  - High capacity and non-volatile memory (up to 4Mbytes)
  - Plug and play configuration WATSON manager software
  - Driver identification with iButton key chain
  - Wide input voltage
    - 8-40 Volts Power supply input, 3 Amps
  - 30 minutes crash memory
- Comes with a standard CAN interface to add more devices to WATSON like electronic registers (EMR3), RS-232 slip printer, EagleView LED displays and tank level probes (with 4-20mA or CanOpen interface)

## Specifications:

- GPRS cellular module
- 900MHz Maxstream Xtend radio
- WiFi 802.11b
- Operational temperature range: -40°C to 80°C
- Manufacturer warranty of three (3) years

## Dimensions:

Units	Length	Width	Height
Inches	4.72	4.06	2.09
mm	120	103	53

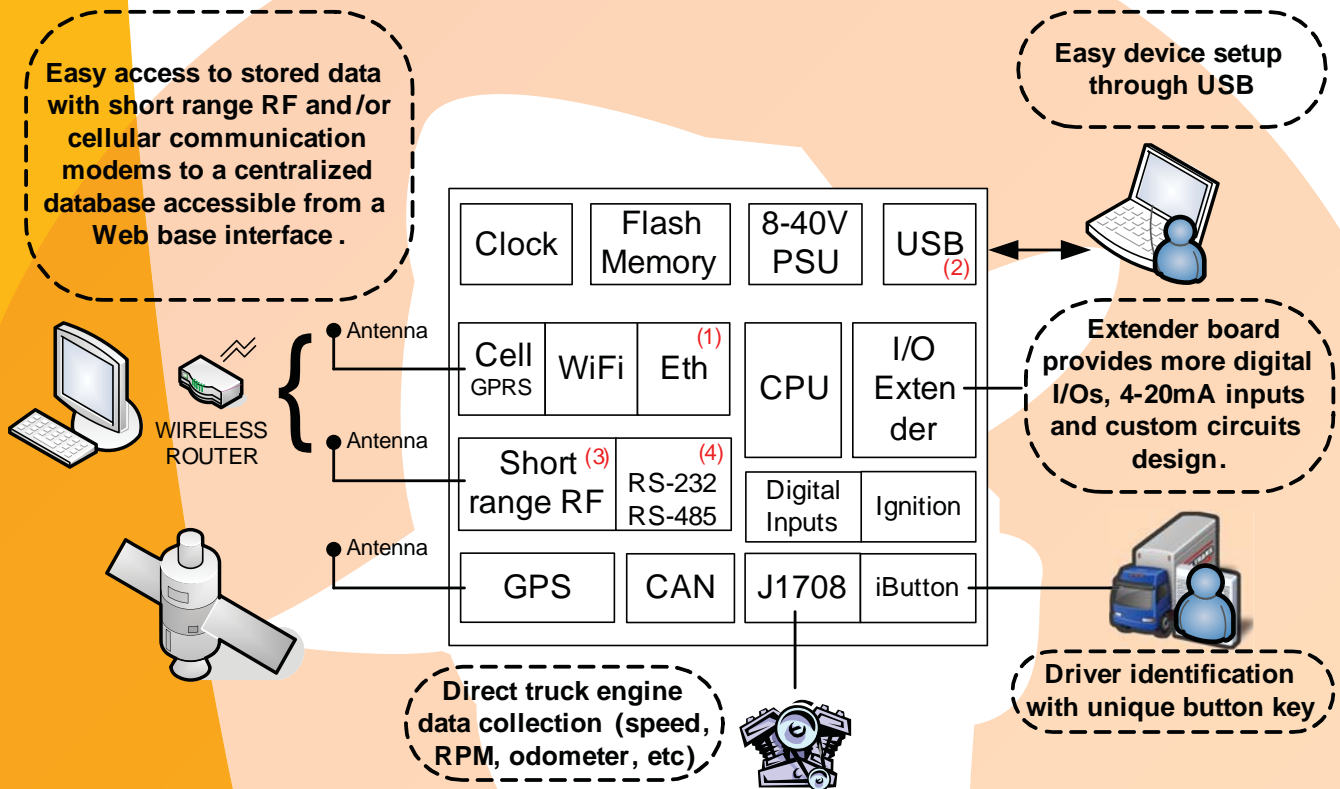
- Fully compliant with the Ministère du Transport du Québec regulations "Article 40" for hazardous material transportation.

## Contact :

Tekinno Corporation inc  
Toll free : (877) 698-3546  
info@tekinno.com  
www.tekinno.com



## WATSON Block diagram



### Important notes

- 1) WATSON can have WiFi or GPRS or Ethernet. Not all at the same time.
- 2) When USB port is used, short range RF is disabled.
- 3) WATSON can have GPRS and short range RF at the same time
- 4) WATSON can have short range RF or serial interface

## Questions ?

Toll free : (877) 698-3546  
 info@tekinno.com  
 www.tekinno.com

